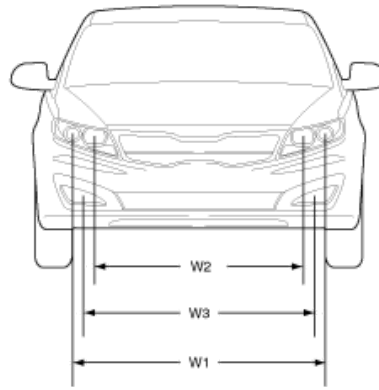
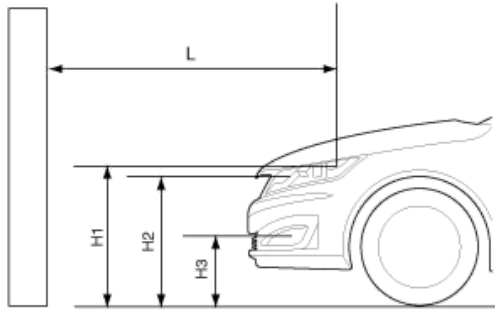
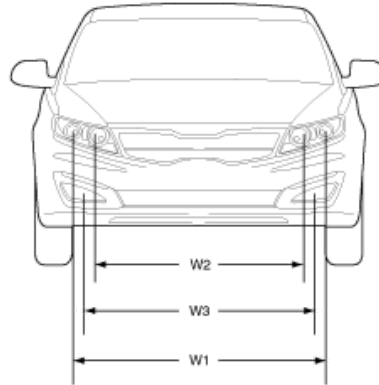
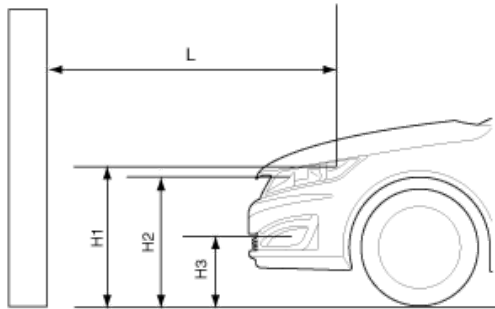


Head Lamp And Fog Lamp Aiming Point

[General]



[Smart Cornering]



- H1 : Height between the head lamp bulb center and ground (Low beam)
- H2 : Height between the head lamp bulb center and ground (High beam)
- H3 : Height between the fog lamp bulb center and ground
- W1 : Distance between the two head lamp bulbs centers (Low beam)
- W2 : Distance between the two head lamp bulbs centers (High beam)
- W3 : Distance between the two fog lamp bulbs centers
- L : Distance between the head lamp bulb center and screen

@Ecu118

[General]

Unit : in(mm)

Vehicle condition	H1	H2	H3	W1	W2	W3	L
Without driver	28.1(715)	27.1(690)	13.6(347)	53.4(1,356)	44.3(1,126)	52.1(1,323)	Refer to aiming condition
With driver	27.9(710)	26.9(685)	13.4(342)				

[Smart Cornering]

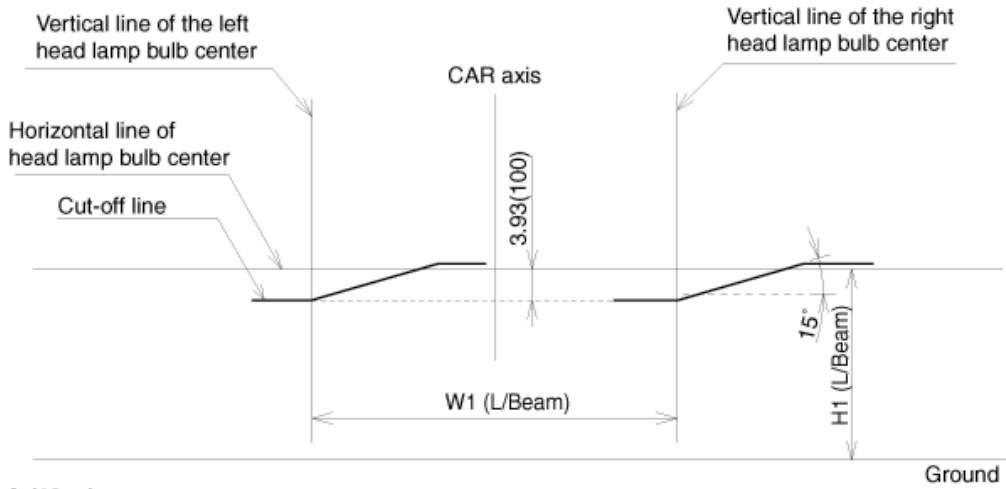
Unit : in(mm)

Vehicle condition	H1	H2	H3	W1	W2	W3	L
Without driver	28.1(715)	27.0(687)	13.5(344)	53.4(1,356)	42.4(1,077)	52.1(1,323)	Refer to aiming condition
With driver	27.9(710)	26.8(682)	13.3(339)				

1. Head Lamp (Low beam)

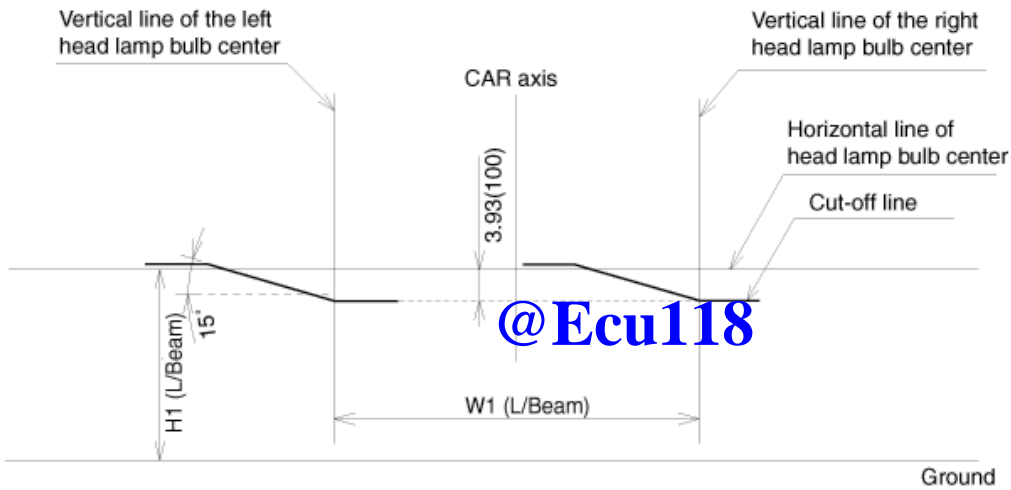
- Turn the low beam on without driver aboard.
- The cut-off line should be projected in the cut-off line shown in the picture.
- If head lamp leveling device is equipped, adjust the head lamp leveling device switch with 0 positions.

[LHD]



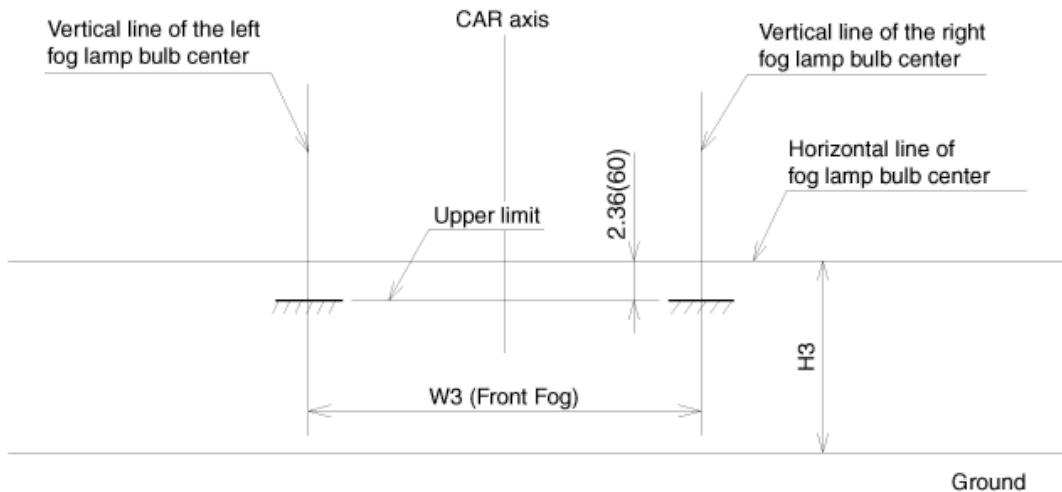
L : 32.8 ft (10 m)
Unit : in.(mm)

[RHD]



L : 32.8 ft (10 m)
Unit : in.(mm)

- Turn the front fog lamp on without the driver aboard.
The cut-off line should be projected in the allowable range (shaded region)



L : 9.8 ft (3 m)
Unit : in.(mm)